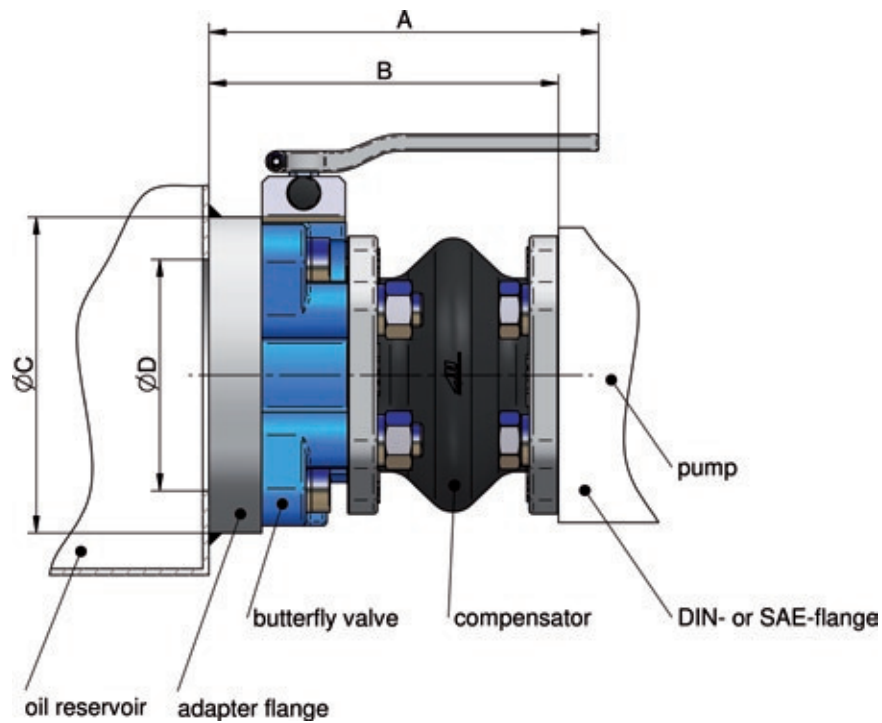


Suction Unit

SAE 1½" – SAE 5"

The asa suction unit has been developed to provide a compact unit in hydraulic systems. The asa butterfly flange with SAE connections allows the combination with an elastic element (rubber compensator) to make a short compensating and economical connection with the pump port. The asa suction unit is screwed to the asa adapter flange, which is welded to the tank. Due to low installation costs and compact design, purchasing asa suction units is cost effective. A switch (mechanical or inductive) can be mounted on the standard block for monitoring matters.

At the delivery configuration the lever position corresponds to the valve position (can be changed, see butterfly flanges). Thus the aperture angle is well-defined even in mounted state. The handle direction (clockwise or counter clockwise) can be changed by turning the switch bracket. Please note that the butterfly flange may only be opened in mounted state and with greased or lubricated sealing. The adapter flange may only be welded with demounted butterfly flange.



Technical Data

description	order number	size		A	B	C	D	weight
		SAE	DIN	[mm]	[mm]	[mm]	[mm]	
ESAF – 40	SDAK0040T	1 ½"	40	185	165	130	89	4,80
ESAF – 50	SDAK0050T	2"	50	185	165	150	103	5,60
ESAF – 63	SDAK0063T	2 ½"	65	185	165	150	103	5,70
ESAF – 80	SDAK0080T	3"	80	185	165	150	110	8,10
ESAF – 100	SDAK0100T	4"	100	185	165	180	140	9,30
ESAF – 125	SDAK0125T	5"	125	185	195	205	165	11,10

working ranges

working pressure range	0,2 – 1,5 bar
temperature range	–20°C to +80°C

material

butterfly valve housing	GGG 40 (0.7040), cast iron
valve disc	aluminium
gasket	NBR
compensator flange	steel
compensator rubber inside	NBR-CR
compensator rubber outside	CR
adapter flange	steel

This data sheet shows a technical overview of our products. Please contact us if more exact information is needed. As we are constantly improving our products, their characteristics, dimensions and weights may also change, although we do our best to incorporate these changes continually. The information in this data sheet is intended to be used as a first general guideline only. asa assumes no liability for any information therein, any errors, omissions, misprints, nor any direct or indirect damages, losses or costs resulting therefrom. The cooling performance and the general technical values indicated in this catalogue are measured at a test bench according to asa testing procedures. Because there is no standardized testing procedure, tests used by other manufacturers could have different results. Due to different conditions in testing and application environments the cooling performance may also vary by +/- 15%. Therefore we recommend all coolers to be checked under the system operating conditions. This is also true of vibrations and mechanical stress as well as for pressure peaks and thermal stress and any other relevant factors. Please read manual before installation.